

I-View KD19616

1U 19" Rack Mount Dual Rail 16 Port LCD KVM Switch



Features

- Integrated KVM 16-port Console with 19" LCD monitor, keyboard and touchpad in a 19" 1U height rack mountable drawer
- Provides 2-level password security (Administrator and User)
- Cascades 31 additional switches, allowing control of ≤512 computers from a single console
- Connect to a server or KVM switch via a standard VGA connector
- Quick release tabs to insert or remove the device with ease
- Supports both USB and PS/2 connections for the computers
- Integrated touchpad
- Convenient computer switching via keyboard hotkey and OSD (On-Screen-Display)
- Auto scan feature, broadcast mode, hot pluggable, quick select computer

Introduction

The I-View KD19616 is an LCD KVM switch console that features an integrated 19" LCD screen, keyboard and touchpad in a single console that occupies only 1U of rack space. It allows access and control of up to 16 computers from a single console, and as many as 512 servers can be controlled by cascading another 31 switch consoles. An extra console port is provided (on rear panel) to manage the LCD KVM switch from an external console. I-View KD19616 has a built-in LCD monitor that supports resolution up to 1280x1024@60Hz.

Specification		
Model		KD19616
Connections	Direct	16 DB15 Female (yellow)
	Max	512
Port Emulation		PS/2, USB
Compatibility		Windows, Sun, Unix, Linux
LCD Monitor	LCD Mode	SXGA TFT
	View Area	19"
	Resolution	1280x1024@60Hz
	Display color	16.7 M
	Brightness	250cd/m ² (Typ)
	Contrast Ratio	1000: 1 (Typ)
	Pixel pitch (mm)	0.294(H) x 0.294(W)
	Input Power	
Optional Power Input		-36V – 72V DC
Power Consumption		19.8W
Emulation	Keyboard	99 keys (82 keys main keyboard + 17 keys independent small number pad) <i>Multi-language support</i> —English, Russian, German, French, Korean, Swedish and Italian, etc
	Mouse	X/Y resolution (>1000 points/inch) Supports trackball function
Environment Requirement	Operating Temp	0 - 40 °C
	Storage Temp	-20 – 60 °C
	Humidity	0-80% RH (non-condensing)
Mechanical Features	Material	SECC
	Weight	14kg
Dimension		448mm x 605mm x 43.5mm

Packaging Content	
•	1x I-View KD19616 LCD KVM Switch
•	1x Power Cord (Regional)
•	2x Mounting Rails
•	16x USB-VGA KVM Cable (1.8m/6ft)
•	1x QuickStart Guide

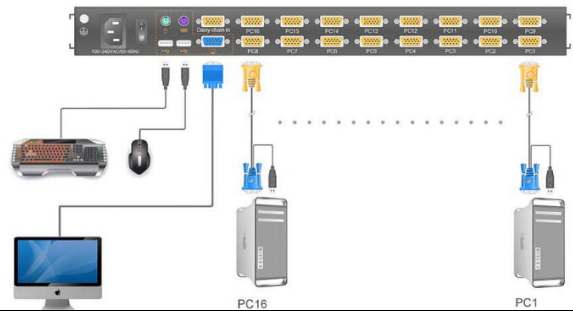
Ordering Information	
I-View KD19616	1U 19" Rack Mount Dual Rail 16 Port LCD KVM Switch

Packaging Dimension	Optional
765mm x 615mm x 185mm	
CBL-1802U	1.8 Meter KVM Cable Combo (USB)
CBL-3001U	3 Meter KVM Cable Combo (PS/2)
CBL-5001U	5 Meter KVM Cable Combo (PS/2)

Rear View



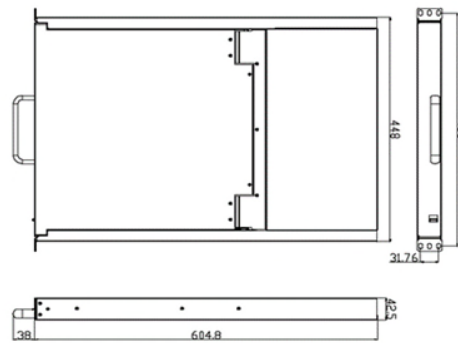
Connection Diagram



Cables



Dimension



SINETIC Technologies Inc. reserves the right to change or update without notice, any information contained herein; to change without notice, the design construction, materials, processing or specifications of any products and to discontinue or limit production or distribution of any products. © 2020 SINETIC Technologies Inc. All rights reserved. DMIVIEWKD19616 Rev 1.0 Dated 202004.